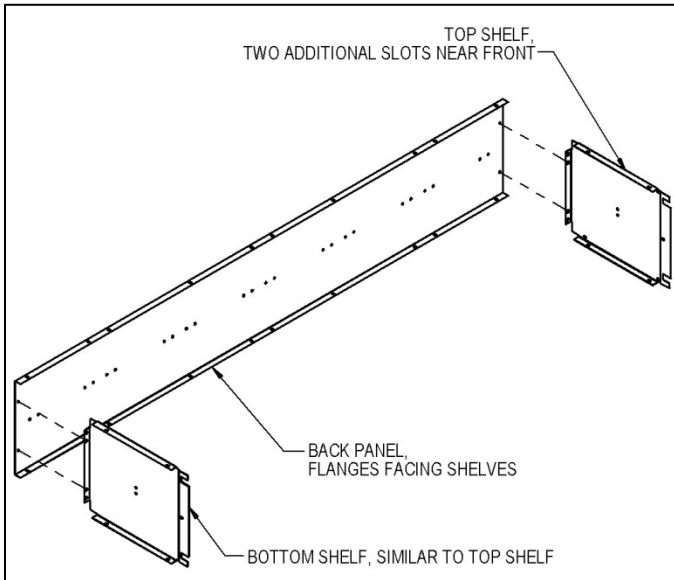


# 15" Wide Standard Lockers – 54000 Series Four Tier Installation Instructions

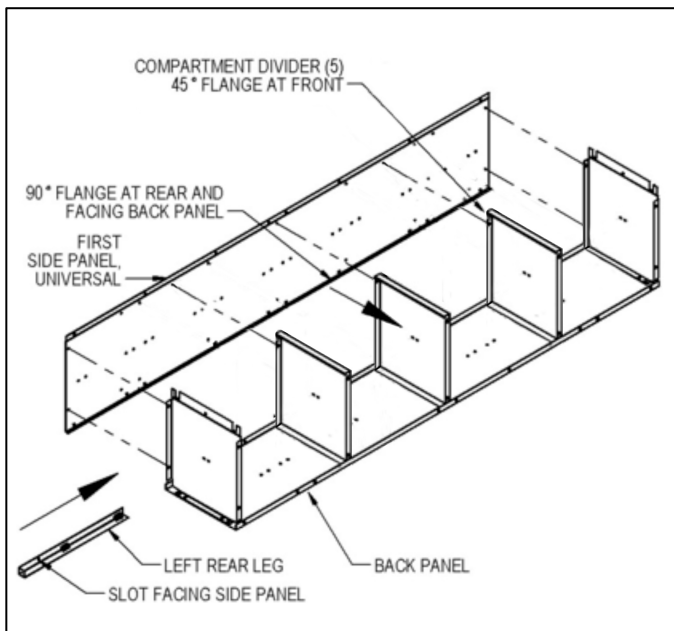
Thank you for selecting Salisbury's 15" wide standard four tier lockers. These instructions are intended to assist you in assembling the lockers. Assembly of the various locker components will be with #10 - 24 x 3/8" long slot less screws and #10 nuts (provided). Loosely fasten a screw and a nut into every set of mating holes with the screw heads positioned on the outside of the locker or on the exposed surface.

## One Wide Locker Assembly

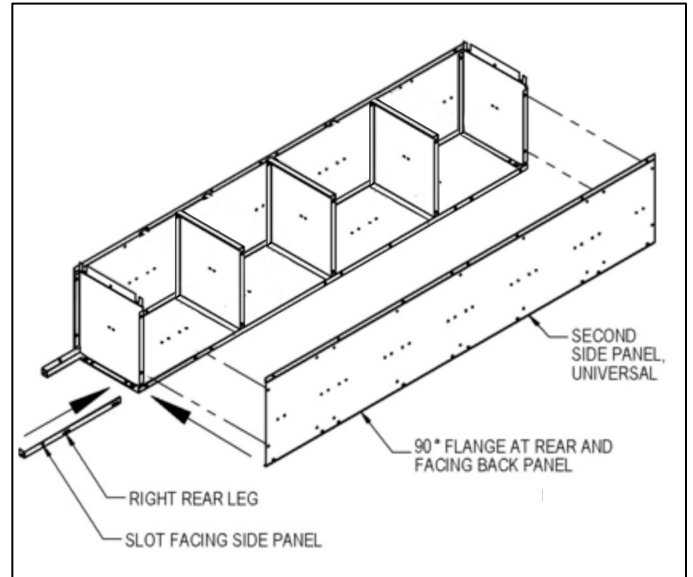
**Step 1:** Attach the top shelf and bottom shelf to the back panel.



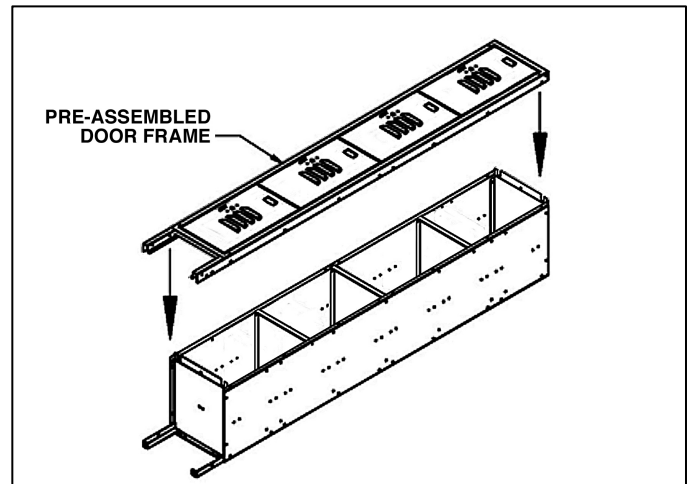
**Step 2:** Turn the back panel on its back with the shelves pointing upward. Attach the first side panel, the left rear leg, and three compartment dividers to the assembly from Step 1.



**Step 3:** Attach the second side panel and the right rear leg to the assembly of Step 2. The locker chassis is now complete.



**Step 4:** Attach the pre-assembled door frame onto the assembly of Step 3.



**Step 5:** Tighten all fasteners checking for squareness of the locker while tightening. Attach optional sloping hood, end bases or front base (see pages 4 and 5).

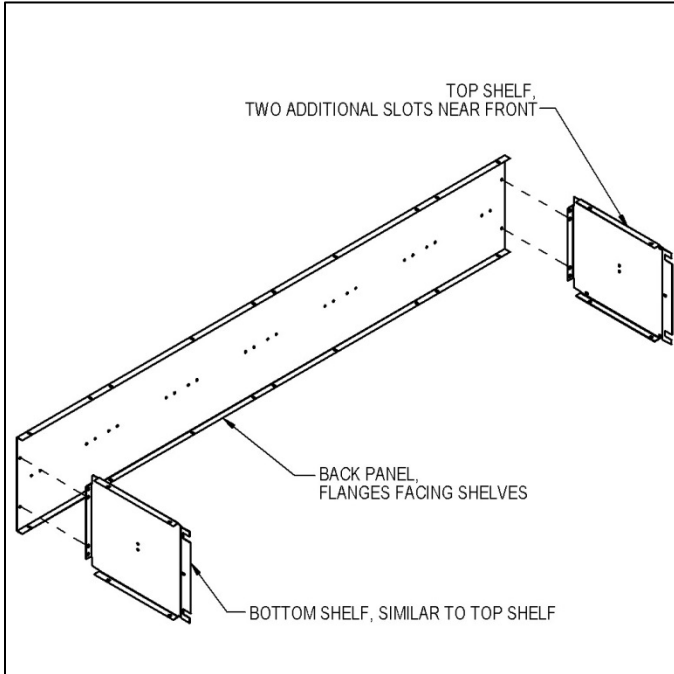
**Step 6:** Place the locker in the installed location and anchor to the floor, wall, or to both. Individual job conditions will dictate the type of fastening anchors to use (not provided).

**Step 7:** Fasten all lockers in a row together by installing fasteners provided through the side panels. Installation is now complete.

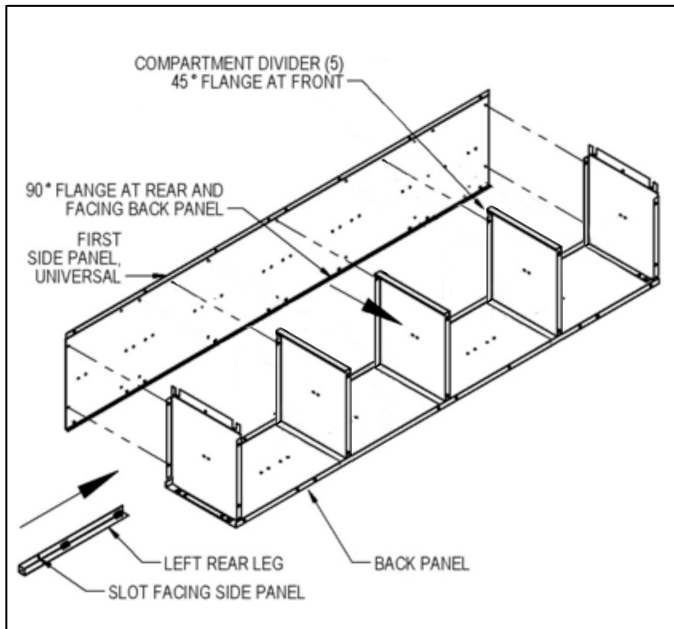
# 15" Wide Standard Lockers – 54000 Series Four Tier Installation Instructions

## Three Wide Locker Assembly

**Step 1:** Attach the top shelf and bottom shelf to the back panel.

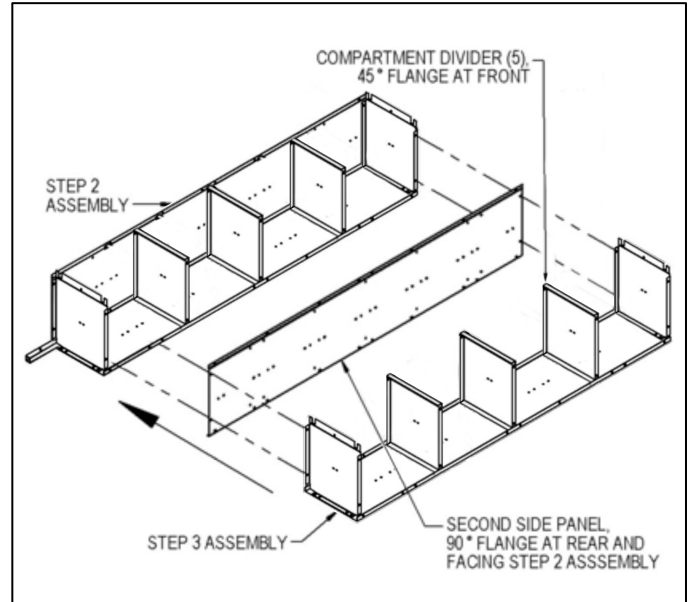


**Step 2:** Turn the back panel on its back with the shelves pointing upward. Attach the first side panel, the left rear leg, and three compartment dividers to the assembly from Step 1.



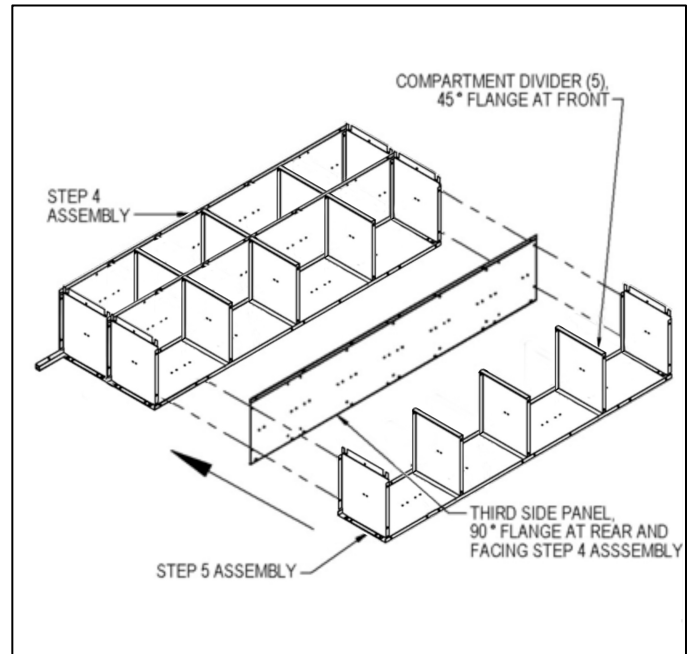
**Step 3:** Attach the second top shelf and the second bottom shelf to the second back panel as in Step 1.

**Step 4:** Simultaneously attach the assembly of Step 3 (second Step 1 assembly), the second side panel, and three additional compartment dividers to the assembly of Step 2.



**Step 5:** Attach the third top shelf and the third bottom shelf to the third back panel as in Steps 1 and 3.

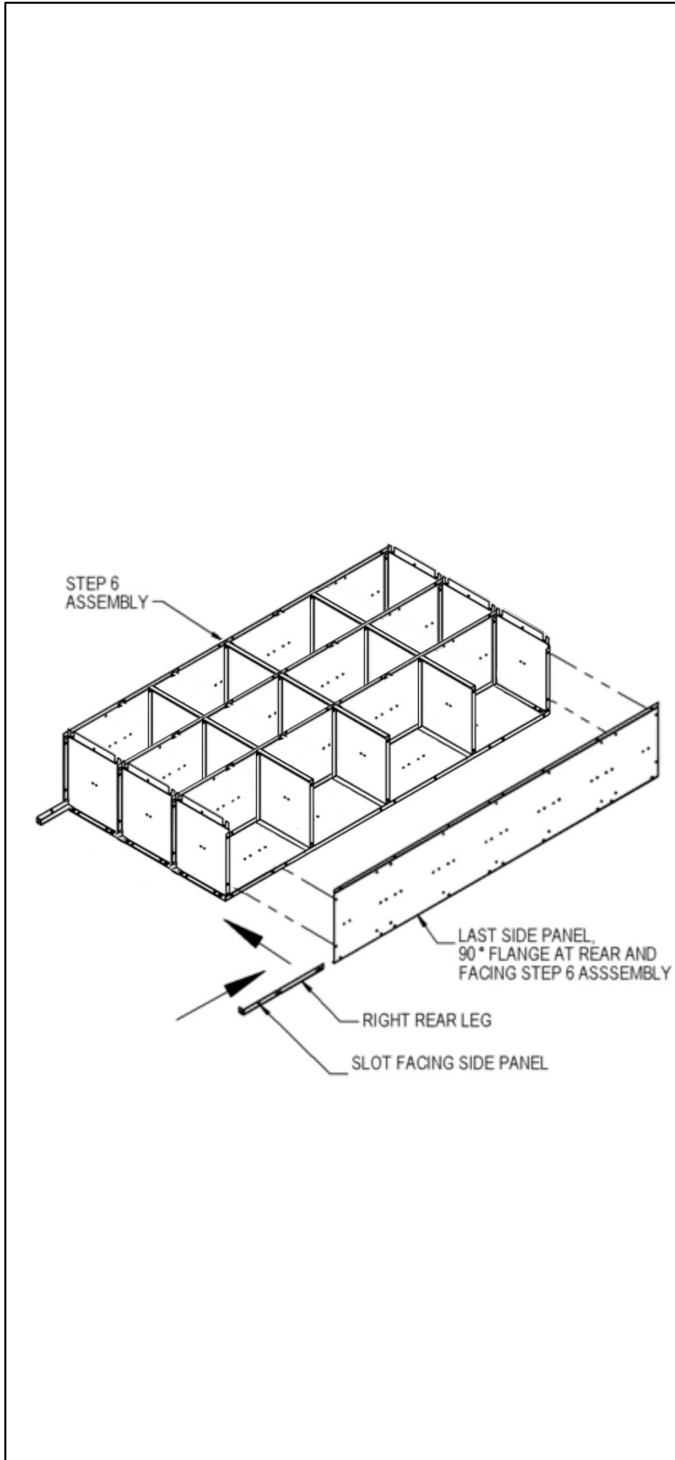
**Step 6:** Simultaneously attach the assembly of Step 5 (third Step 1 assembly), the third side panel, and three additional compartment dividers to the assembly of Step 4.



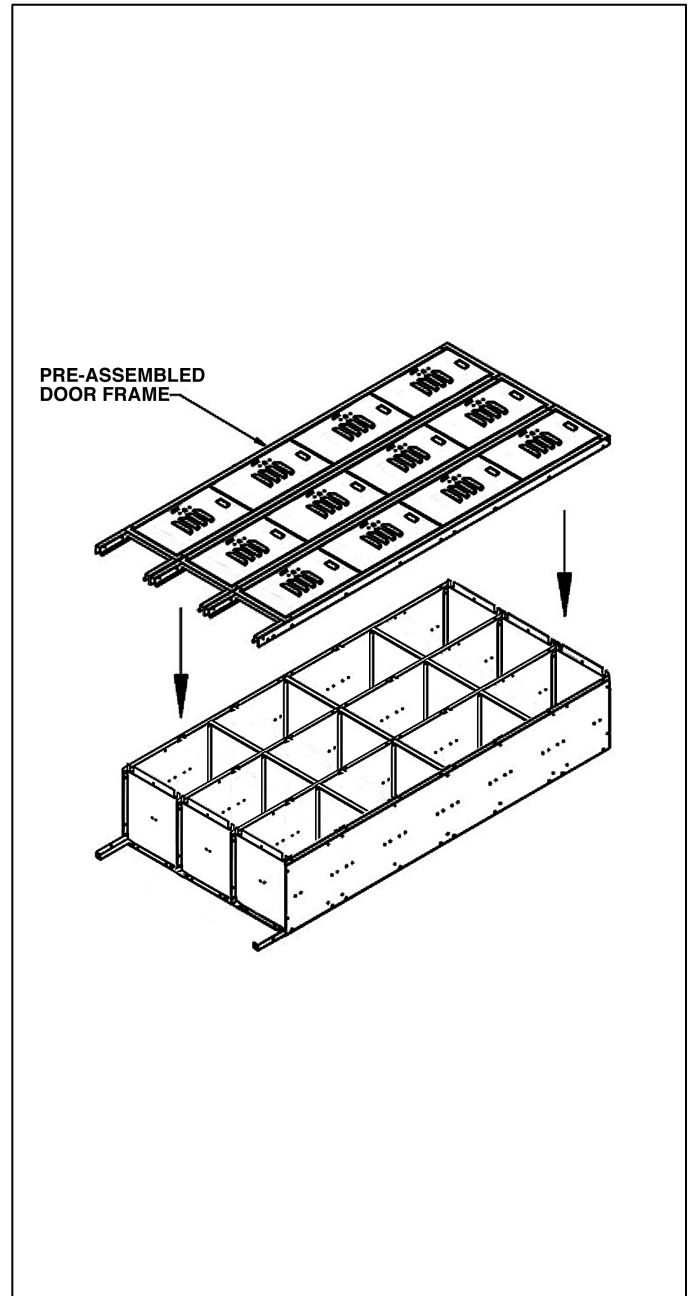
# 15" Wide Standard Lockers – 54000 Series Four Tier Installation Instructions

## Three Wide Locker Assembly (continued)

**Step 7:** Attach the last side panel and the right rear leg to the assembly of Step 6. The locker chassis is now complete.



**Step 8:** Position the pre-assembled door frames onto the assembly of Step 7 then fasten one by one.



**Step 9:** Tighten all fasteners checking for squareness of the locker while tightening. Attach optional sloping hoods, end bases or front bases (see pages 4 and 5).

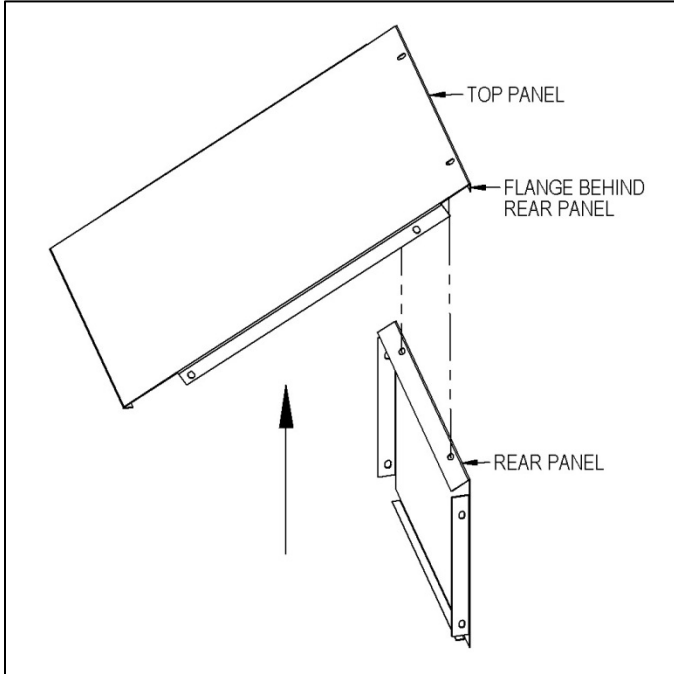
**Step 10:** Place the locker in the installed location and anchor to the floor, wall, or to both. Individual job conditions will dictate the type of fastening anchors to use (not provided).

**Step 11:** Fasten all lockers in a row together by installing fasteners (provided) through the side panels. Installation is now complete.

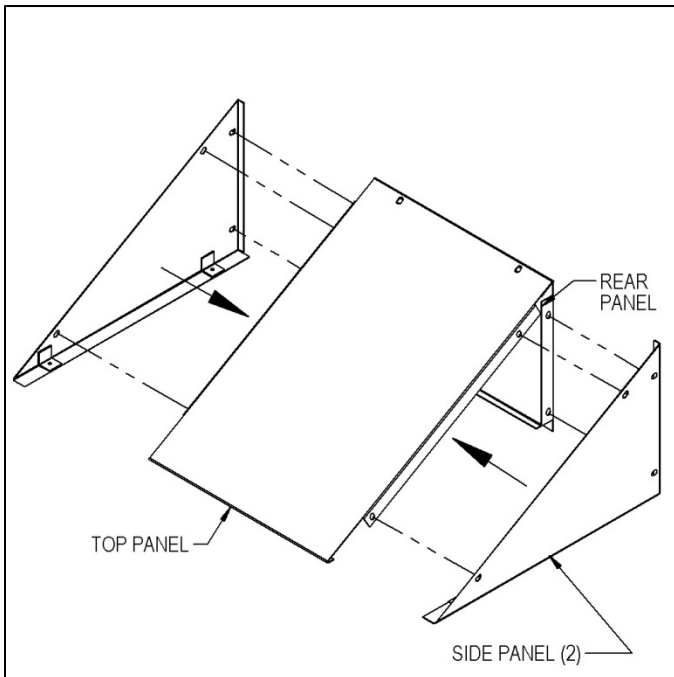
# 15" Wide Standard Lockers – 54000 Series Four Tier Installation Instructions

## Sloping Hood Installation (Optional)

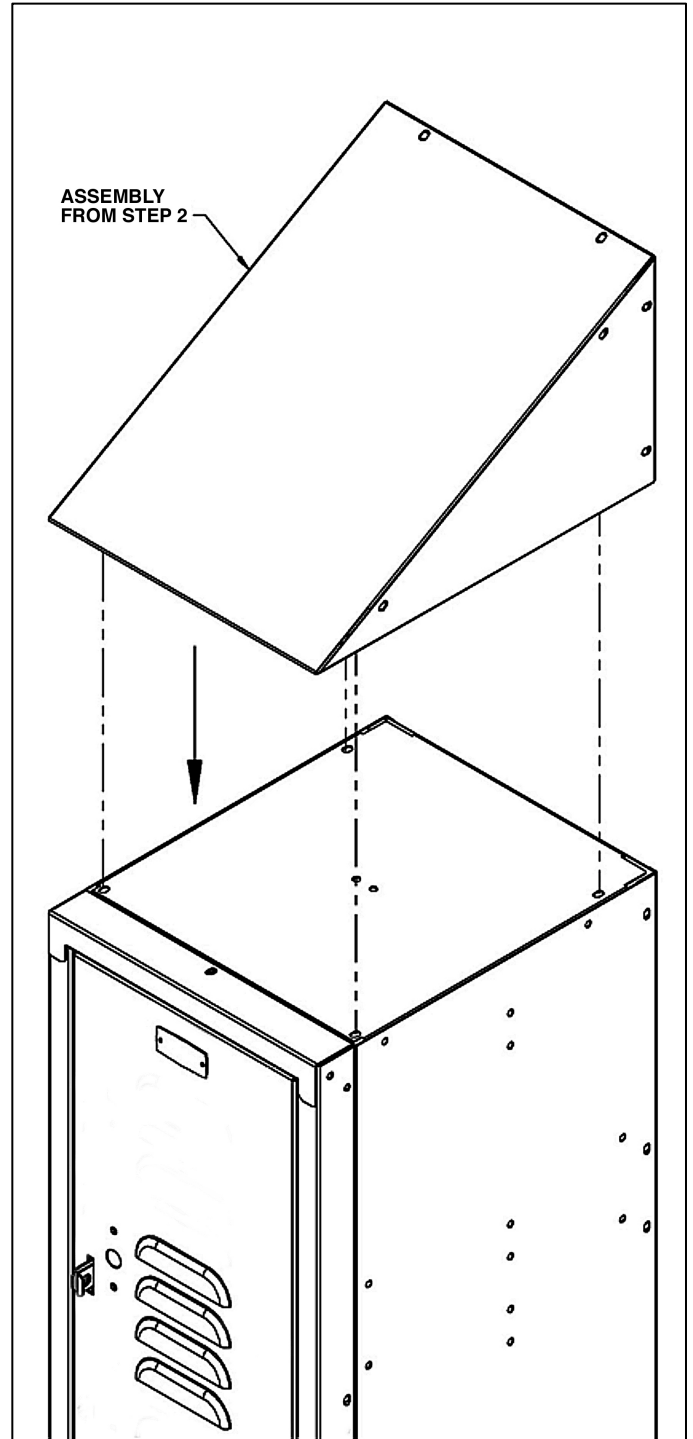
**Step 1:** Assemble the top panel to the rear panel with #10 - 24 x 3/8" slot less screws and #10 nuts (provided). Position the flange of the top panel behind the rear panel.



**Step 2:** Assemble the side panels to the top panel and rear panel with #10 - 24 x 3/8" long slot less screws and #10 nuts (provided).



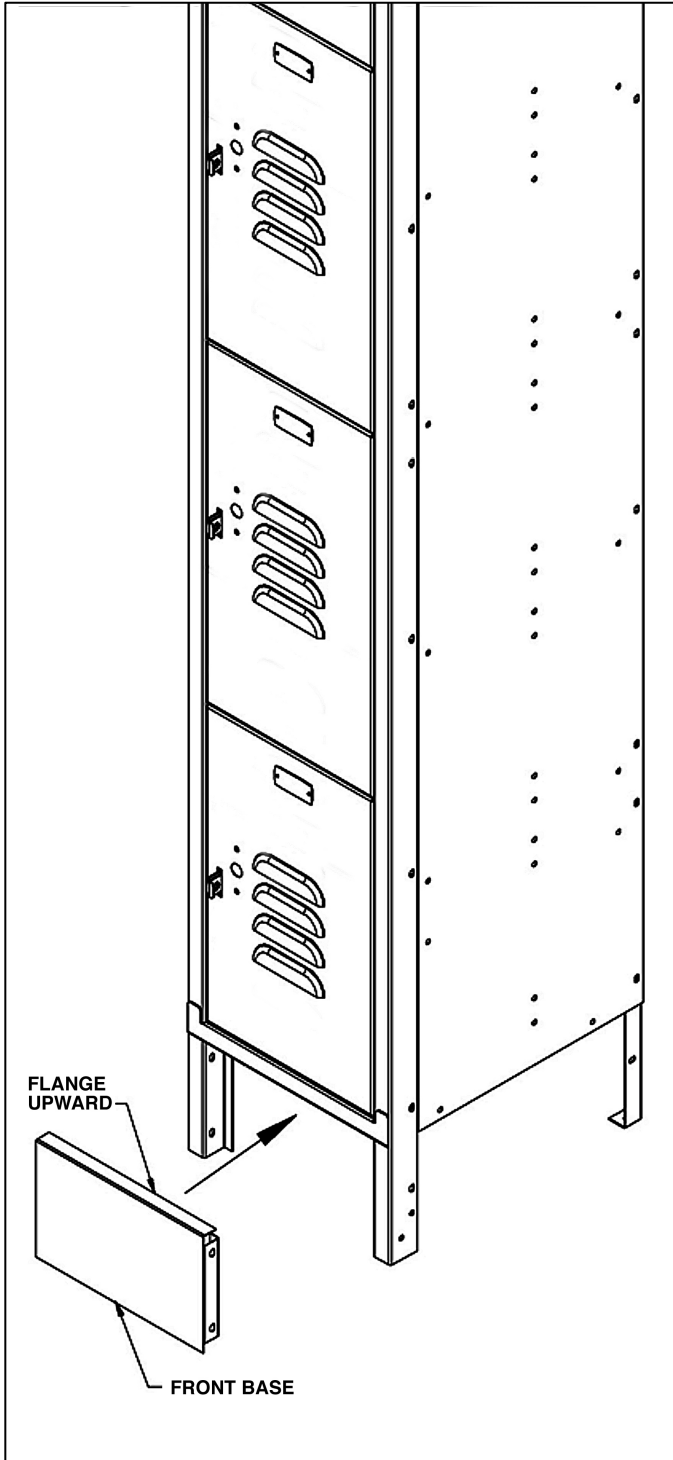
**Step 3:** Attach the sloping hood to the top of the locker with #10 - 24 x 3/8" slot less screws and #10 nuts (provided).



# 15" Wide Standard Lockers – 54000 Series Four Tier Installation Instructions

## Front Base Installation (Optional)

Position the front base between the front legs of the locker with the flange upward. Assemble to the locker with #10 - 24 x 3/8" slot less screws and #10 nuts (provided).



## End Base Installation (Optional)

Position the appropriate end base (right or left) behind the corresponding side legs of the locker with the flange upward. Assemble to the locker with #10 - 24 x 3/8" slot less screws and #10 nuts (provided). Repeat for the other side.

